

# Elite Evo Tablet Stand

The Elite tablet stand offers high security and durability in a sleek and stylish casing. Featuring a 4 point lock and a strong coated metal faceplate to protect your iPad or android tablet.



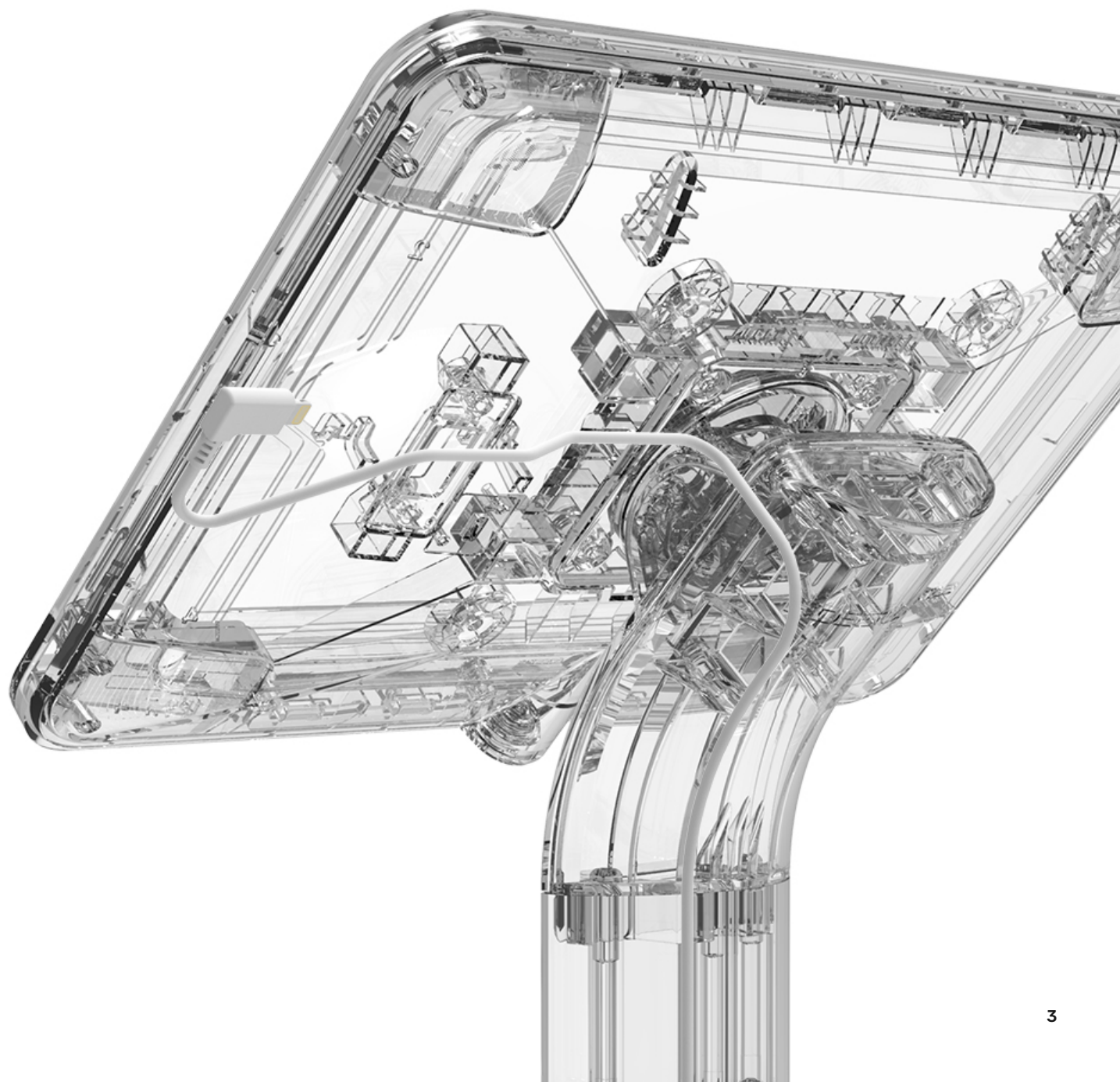


## Quick Release Latch

Now available with the Elite 2.0 iPad holder for selected tablets, the Elite Evo offers easy access through the Quick Release Latch, while the 4-Point Lock provides strong protection in high-traffic environments.

# Cable Management

Keep your tablet charged with internal cable management in the fully enclosed case. The Elite Evo tablet stand features two cable management options including the ability to discreetly run your cable from the device through the Elite case and Evo pole, or alternatively, run the cable directly through the included cut out in the case's rear.



# Pole Options



**Evo Pole**

Fixed 45\* angle



**Evo X Pole**

Tilt and Rotation movement



40° Tilt



90° Rotation

# Evo X Movement

Evo X Pole Only

The Evo X pole rotates between portrait and landscape and also features a 40-degree tilt for a functional and ergonomic design. This stand also features a position lock on both tilt and rotate movements for a fixed option.

# Mounting Options





# Seamless Payment Integration

The Elite Card Reader Bracket easily attaches any payment device to your Bosstab Elite holder, ensuring a smooth and efficient self-service checkout experience.

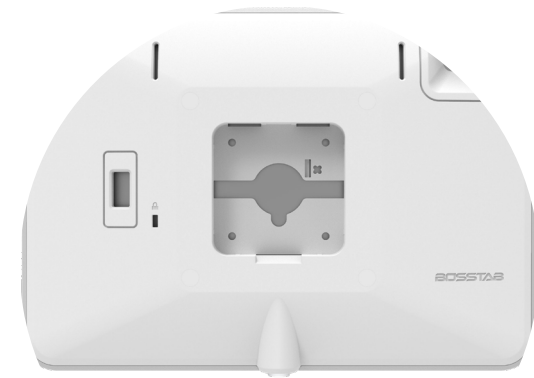
# Case Accessories



**Cable Cut Out**



**Cable Lock Port**



**Camera Cut Out**



## **Recommended counter height for the Elite Evo**

29.53" - 43.31" (75 - 110 cm)

# Custom Branding Solutions

Add your logo on the Elite Evo with a silk-screen finish on our powder coated molded metal bases or on the front facing display.



# Supported Tablets



## iPad Pro

iPad Pro 13" (M5/M4)

iPad Pro 11" (M5/M4)

iPad Pro 12.9" 6th/5th/4th/3rd Gen

## iPad Air

iPad Air 13" (M3/M2)

iPad Air 11" (M3/M2)

## iPad

iPad 11" (A16)

iPad 10.9" 10th Gen

iPad 10.2" 9th/8th/7th Gen

## SAMSUNG

### Tab S

Galaxy Tab S10+/S9+/S8+/S7+ 12.4"

Galaxy Tab S11/S9/S8/S7 11"

Galaxy Tab S10 FE/Lite 10.9"

### Tab A

Galaxy Tab A11+/A9+ 11"

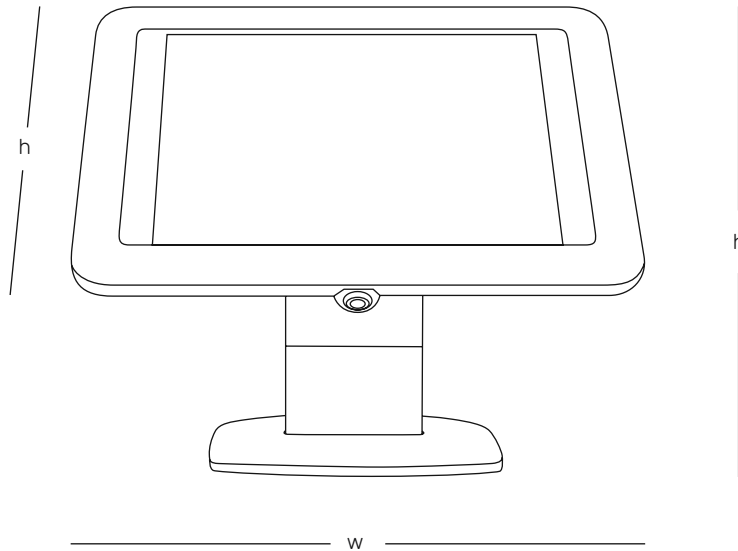
Galaxy Tab A8 10.5"/A7 10.4"



Surface Pro 11 (Copilot+) 13"

Surface Pro 10/9/8 13"

# Specifications



**Elite Holder**

**w** - 11.69" (297mm)

**h (case)** - 8.27" (210mm)

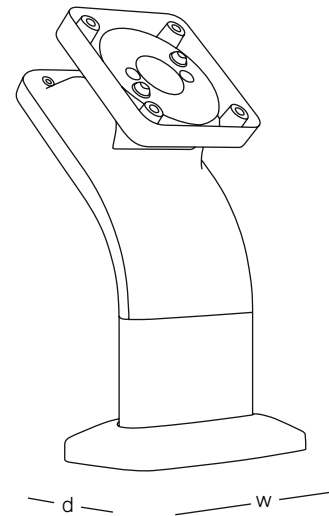
**h (total)** - 11.42" (290mm)

**Large Elite Holder**

**w** - 12.99" (330mm)

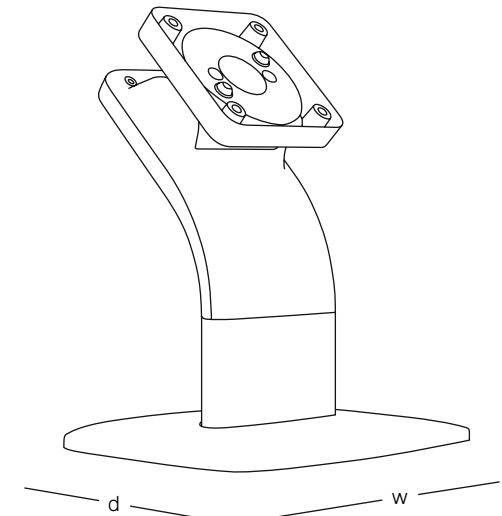
**h (case)** - 10.24" (260mm)

**h (total)** - 11.93" (303mm)



**w** - 4.25" (108mm)

**d** - 2.95" (75mm)



**w** - 6.30" (160mm)

**d** - 5.83" (148mm)